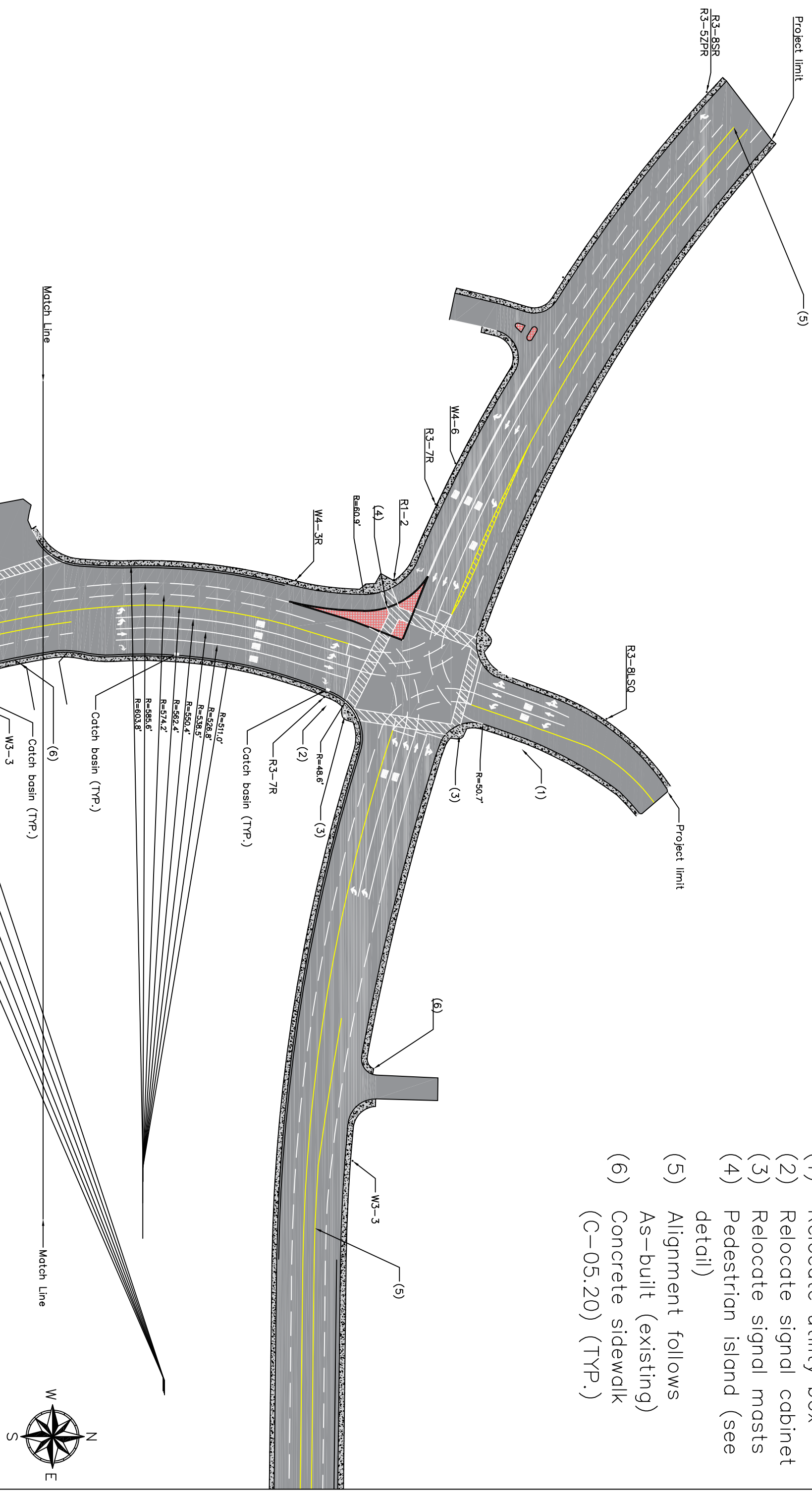


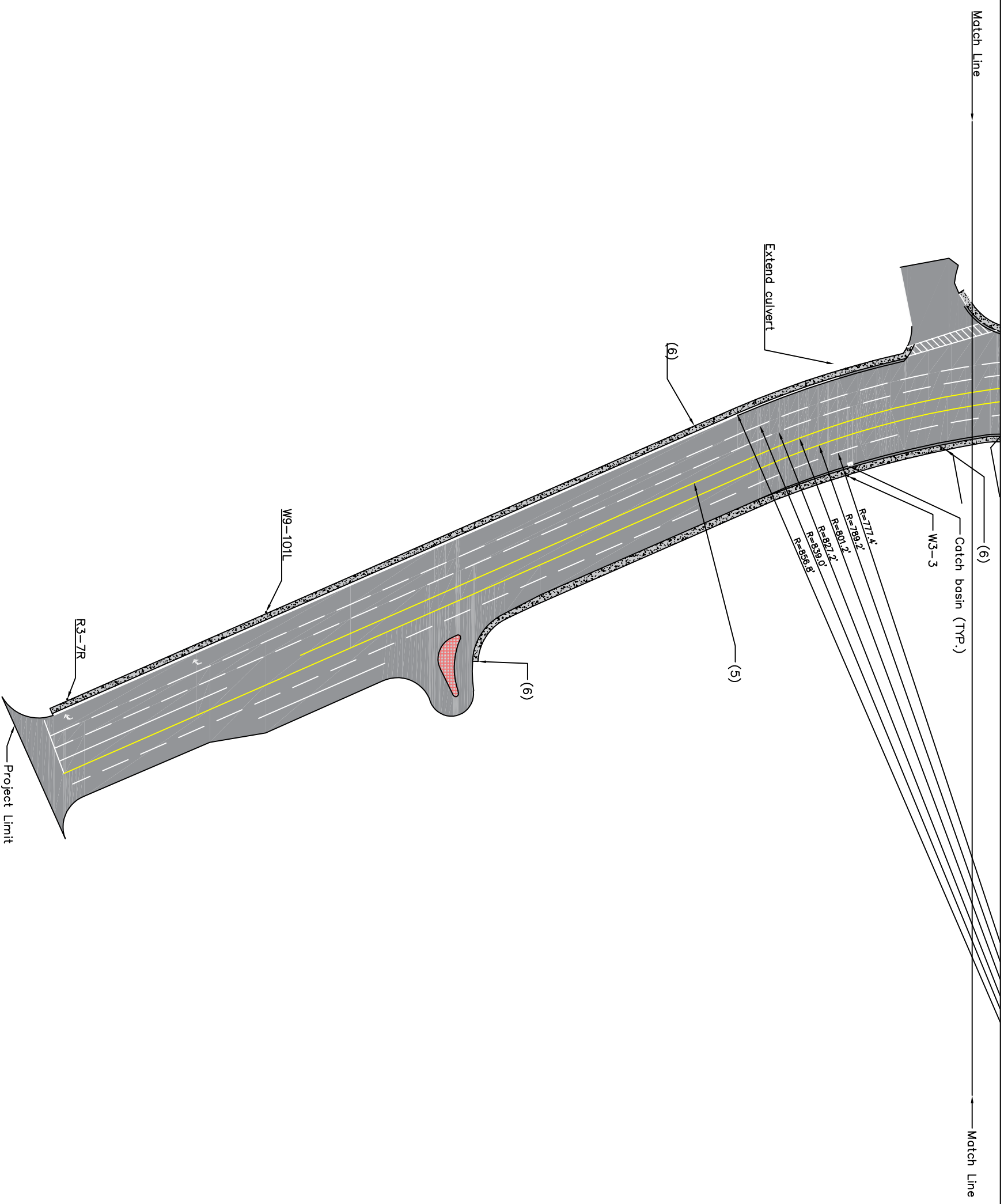
PROJECT: ADOT SR 260/SR 89A REDESIGN	DATE: 4/6/21	BY: A. Alrajhi	DRAWING: ALIGNMENT
LAB: DEPICT EGR GRP	DUE: 4/8/21	SCALE: 1" = 200'	PAGE: 1 OF: 1
	REVISION: 2		

- ### CONSTRUCTION NOTES
- (1) Relocate utility box
  - (2) Relocate signal cabinet
  - (3) Relocate signal masts
  - (4) Pedestrian island (see detail)
  - (5) Alignment follows
  - (6) As-built (existing)
  - (6) Concrete sidewalk (C-05.20) (TYP.)

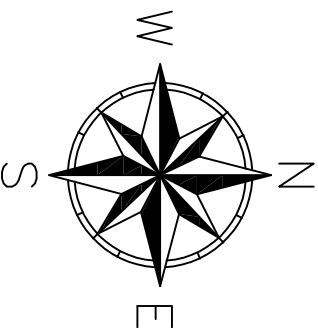


PROJECT: ADOT SR 260/SR 89A REDESIGN		DATE: 4/7/21		BY: K. ROECKNER		DRAWING: PLAN VIEW	
LAB: DEPICT EGR GROUP		DUE: 4/8/21		REVISION: 5		PAGE: 1 OF 2	

SCALE: 1" = 100'



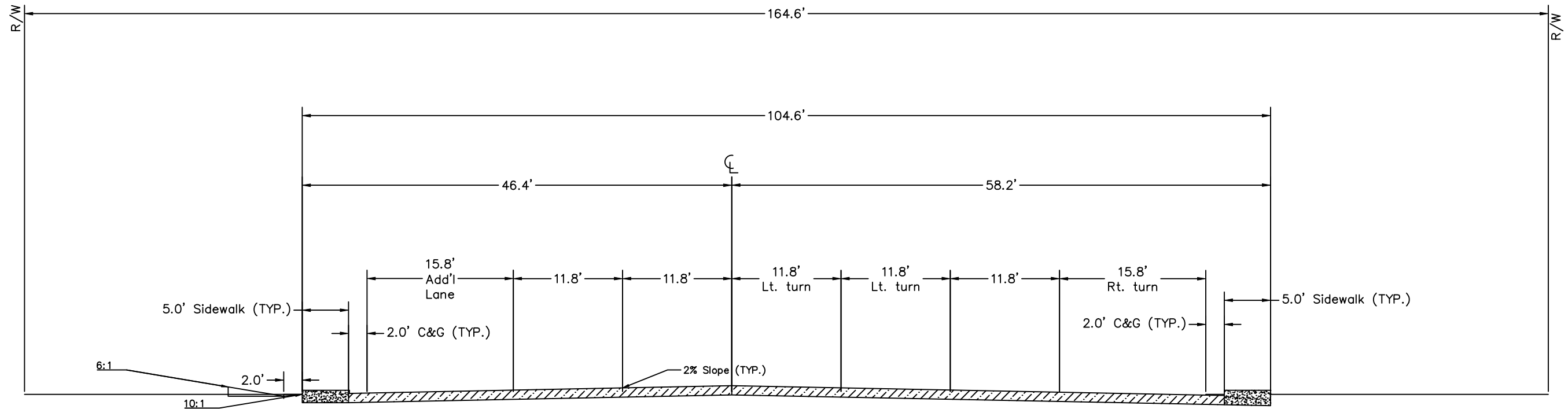
- ### CONSTRUCTION NOTES
- (1) Relocate utility box
  - (2) Relocate signal cabinet
  - (3) Relocate signal masts
  - (4) Pedestrian island (see detail)
  - (5) Alignment follows As-built (existing)
  - (6) Concrete sidewalk (C-05.20) (TYP.)



PROJECT: ADOT SR 260/SR 89A REDESIGN		DATE: 4/7/21		BY: K. ROECKNER		DRAWING: PLAN VIEW	
LAB: DEPICT EGR GROUP		DUE: 4/8/21		SCALE: 1" = 100'		PAGE: 2 OF: 2	
		REVISION: 5					

# Cross-section

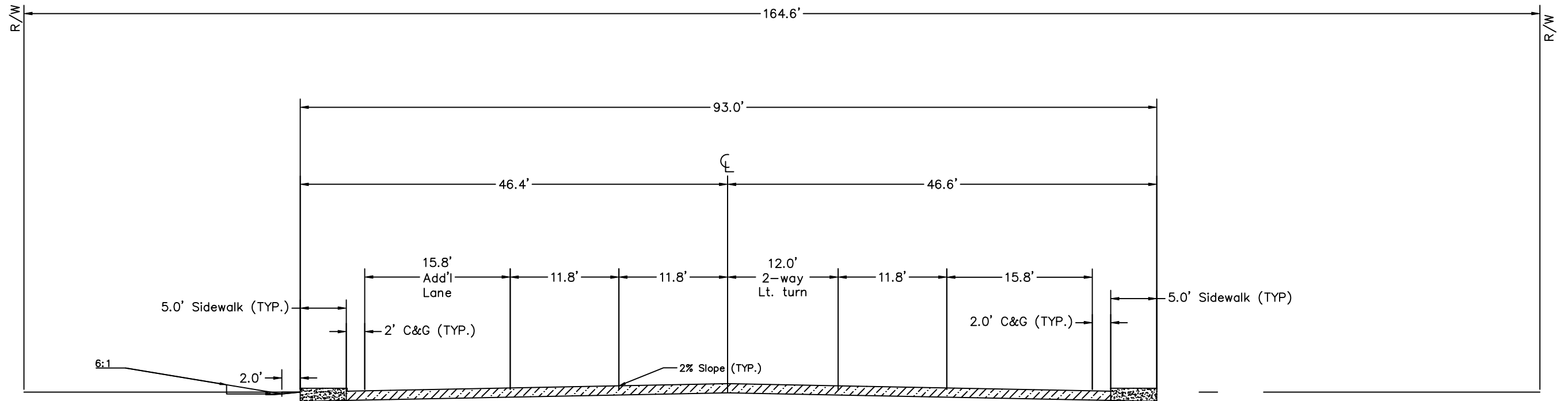
## SR 260 at SR 89A



PROJECT:ADOT SR 260/SR 89A REDESIGN	DATE:4/5/21	BY:K. ROECKNER	DRAWING:
LAB:DEPICT EGR GRP	DUE:4/8/21	 SCALE: 1" = 12'	CROSS SECTION
REVISION:2			PAGE:1

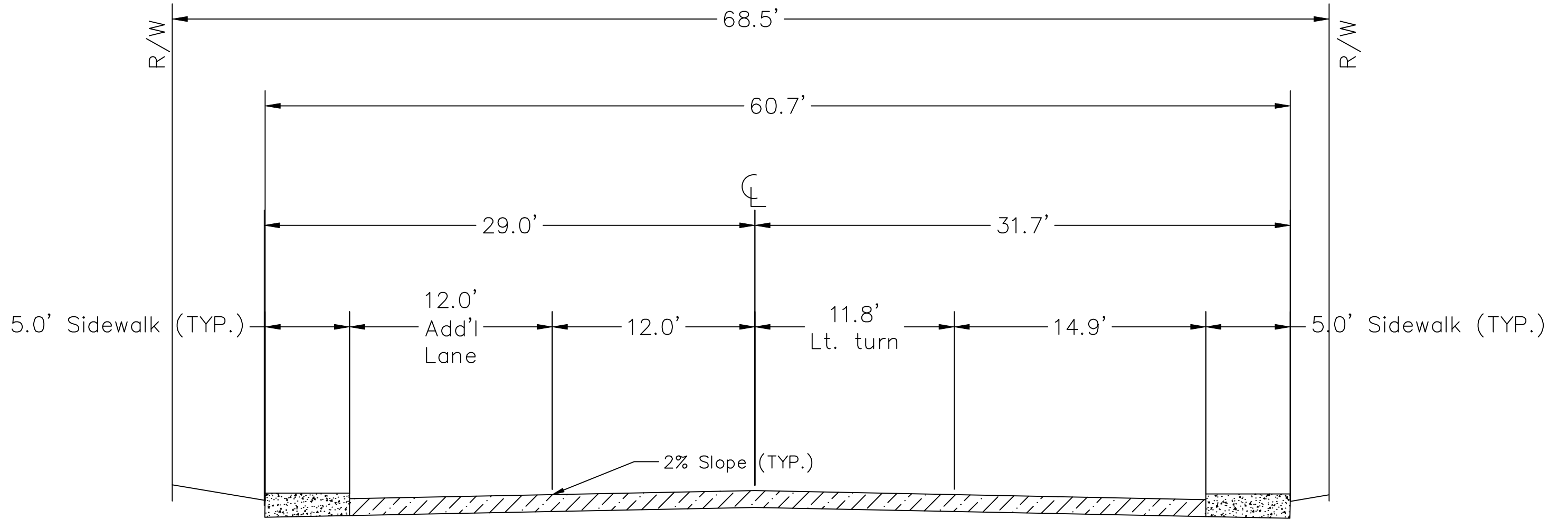
# Cross-section

## SR 260 at Oak Wash

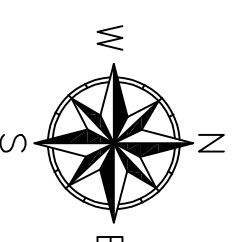
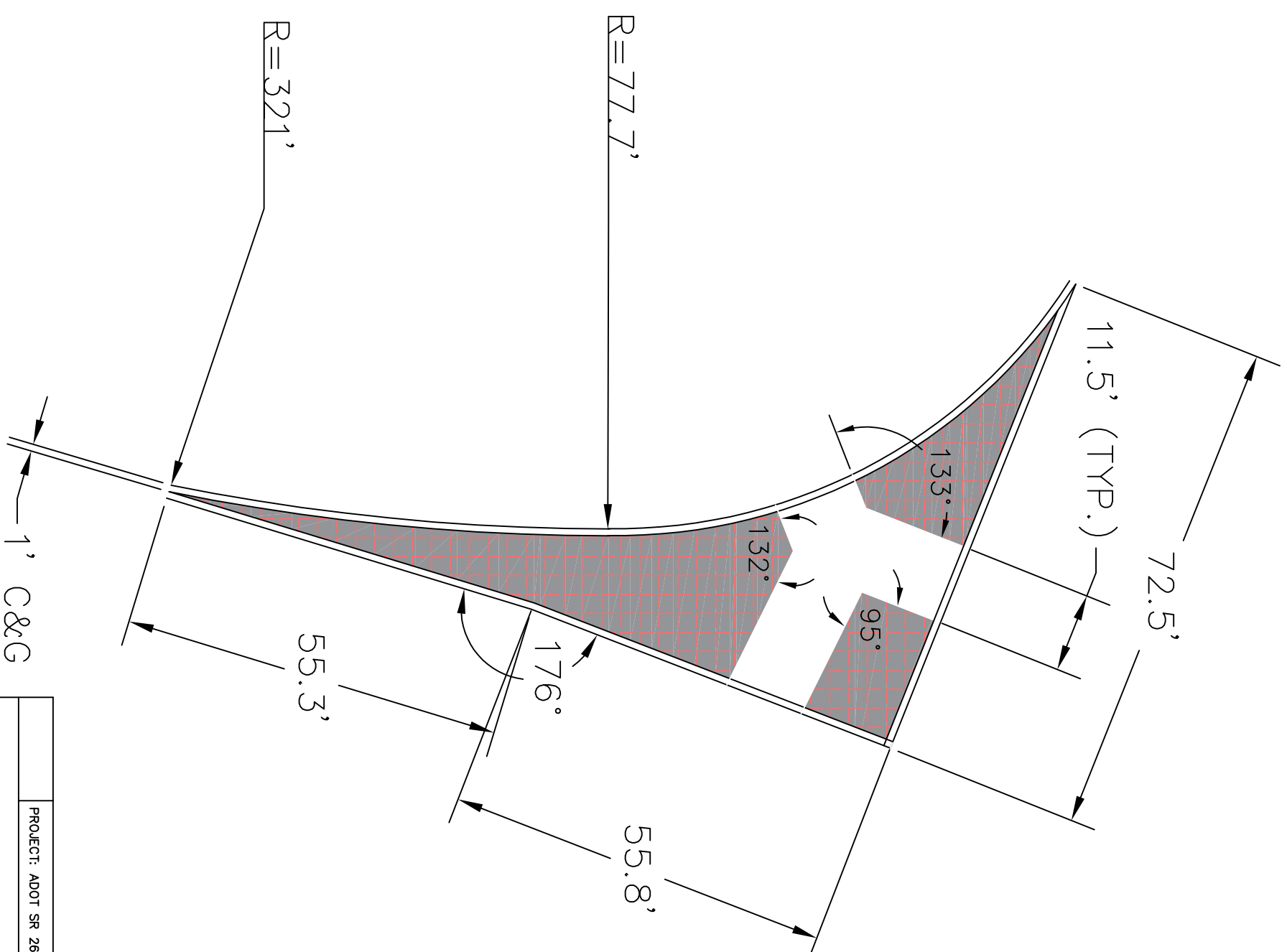


PROJECT:ADOT SR 260/SR 89A REDESIGN	DATE:4/5/21	BY:K. ROECKNER	DRAWING:
LAB:DEPICT EGR GRP	DUE:4/8/21	 SCALE: 1" = 12'	CROSS SECTION
REVISION:2			PAGE:2

# Cross-section Cove Pkwy at SR 89A



PROJECT:ADOT SR 260/SR 89A REDESIGN	DATE:4/5/21	BY:K. ROECKNER	DRAWING:
LAB:DEPICT EGR GRP	DUE:4/8/21	 SCALE: 1" = 6'	CROSS SECTION
REVISION:2			PAGE:3



PROJECT: ADOT SR 280/SR 89A REDESIGN	DATE: 4/7/21	BY: K. ROECKNER	DRAWING: PED ISLAND
LAB: DEPICT EGR GRP	DUE: 4/8/21	SCALE: 1" = 20'	PAGE: 1
	REVISION: 2		OF: 1